



# Spare Parts list

File: 0020100472ZA

Version: 1.0

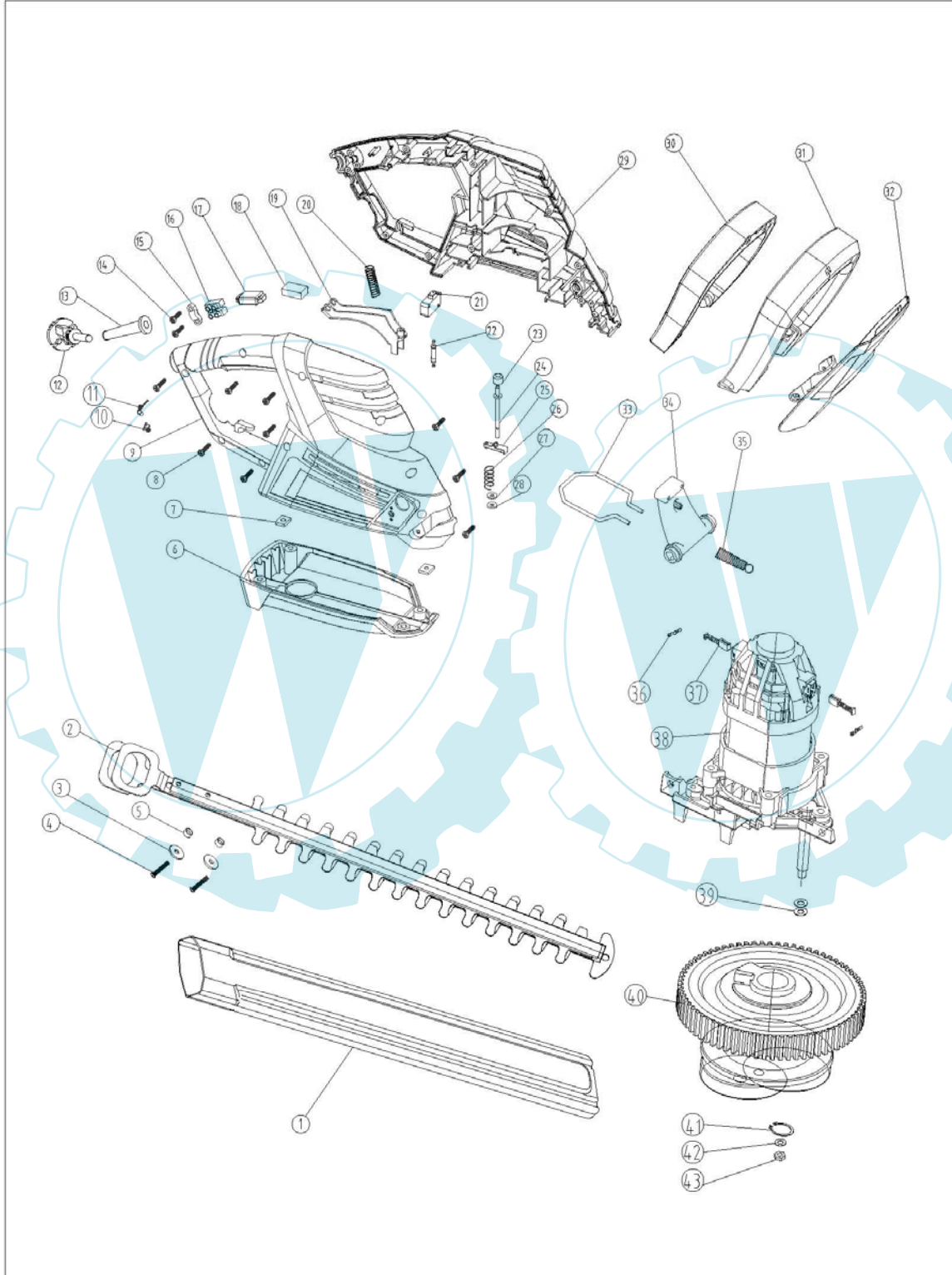
Date: 14th April,2010

## Electric HEDGE TRIMMER----HTEG23-610 (GT5207)

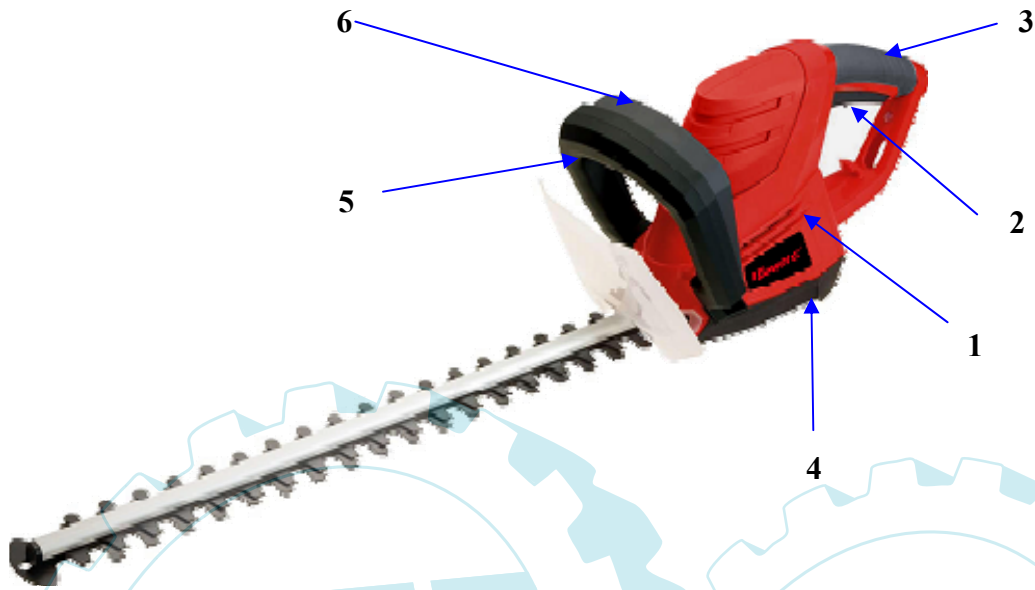
Pos. No	Part code	Part Description	QTY	losable	damage-able	Consum-able	FOB Unit Price (USD)	Remark
1	472001R9005	blade cover	1	Y				
2	472002	blade assay	1		Y			
3	472003	washer for blade	6					
4	B320032	self-tapping screw M5x25	2					
5	472004	gasket blade splint	2					
6	472005R9005	Bottom cover	1					
7	472006	insert block	1					
8	B400057H	self-tapping screw ST4x20	9					
9	472007R3020	right housing body	1					
10	472008	indicator light cover	1					
11	472009	indicator light	1					
12	472010	cable plug	1					
13	472011	cable sheath	1					
14	B400017H	self-tapping screw ST4x16	2					
15	472012	cable clipboard	1					
16	472013	wire connection pole	1					
17	472014	inductance	1					
18	472015	capacitor	1					
19	472016	main trigger	1					
20	472017	main trigger spring	1					
21	472018	micro-switch	1					
22	472019	soft connect	1					
23	472020	Metal bar cove	1					
24	472021	Metal bar	1					
25	472022	Plastic connective plat	1					
26	472023	Bar spring	1					
27	472024	shim	1					
28	472025	external circlip	2					
29	472026R3020	left housing body	2					
30	472027R7043	front trigger	1					
31	472028R9005	front framework	1					
32	472029	safaty guard cover	1					
33	472030	iron	1					
34	472031	front framework	1					
35	472032	front framework spring	1					
36	472033	pinouts for brush holder	2					
37	472034	carbon brush assay	2			Y		
38	472035	motor assay	1					
39	472036	shim	2					
40	472037	drive gear assay	1		Y			
41	B278029	external circlip Φ35	1					
42	742038	shim	1					
43	472039	nut	1					

**REMARKS:**

1. The above quotations are based on RMB/USD=6.8117.  
If RMB value increase over 5%, the prices should be adjustable.
2. If main material fluctuated more than 5%, the prices should be adjustable
3. Prices normally valid for one year from the day we offer, except the case we consider it invalid.
4. All prices should be subject to our final confirmation.



## Product Color Combination



No	Parts name	Color
1	Body	Red RAL3020
2	Switch	Grey RAL7043
3	Handle rubber	Grey RAL7043
4	Bottom cover	Black
5	Front framework	Black
6	Front trigger	Grey RAL7043

Remark:

FOR Hagebau